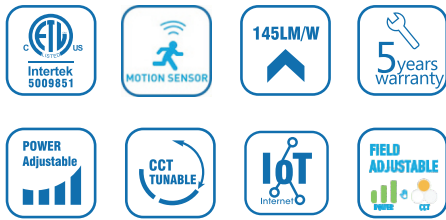
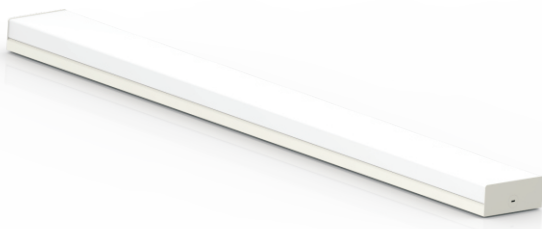




## 5" LED WRAPAROUND



## DESCRIPTION

5" Linear LED Wraparound fixture is a low profile surface mounted linear fixture delivers gentle light effect.

Integral of new trend of field-adjustable functions provide our customers greater flexibilities on wattages and color temperatures.

Ideal for office, passageway, general lighting etc.

ZHONGSHAN NOONLIGHTING CO., LTD  
NOONLIGHT CO., LTD

5th Floor, 6th Building, D.Z.Y.C Industrial Park, No.80, Shunxing North Road, Henglan town, Zhongshan, CN.

86-760 2253 2901 , 2253 2902

SALES@NOONLIGHTING.COM

WWW.NOONLIGHTING.COM

## FEATURES

- UP TO 145LM/W @4000K.
- CLASS P Programmable LED Driver, power adjustable.
- CRI>80, CCT Tunable, available in 3000K, 3500K, 4000K and 5000K, according to the ANSI standard. CRI>90 is an option
- Minimize stock, 1 SKU can cover max. of 12 models
- An auxiliary output to connect to Low voltage motion sensor/Zigbee/Bluetooth or other IoT network
- 5-100% 0-10V Dimmable, flicker free
- Low voltage/Mains Voltage Occupancy Sensor
- Emergency Battery Pack
- L70>50,000hrs, 5 years warranty

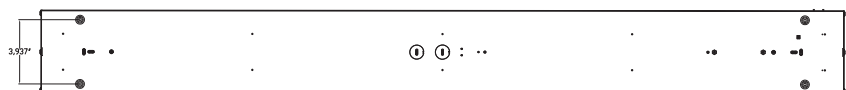
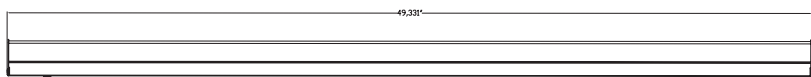
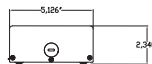
## HOUSING

22 gauge white powder painted steel  
88% transmission rate frosted PC diffuser

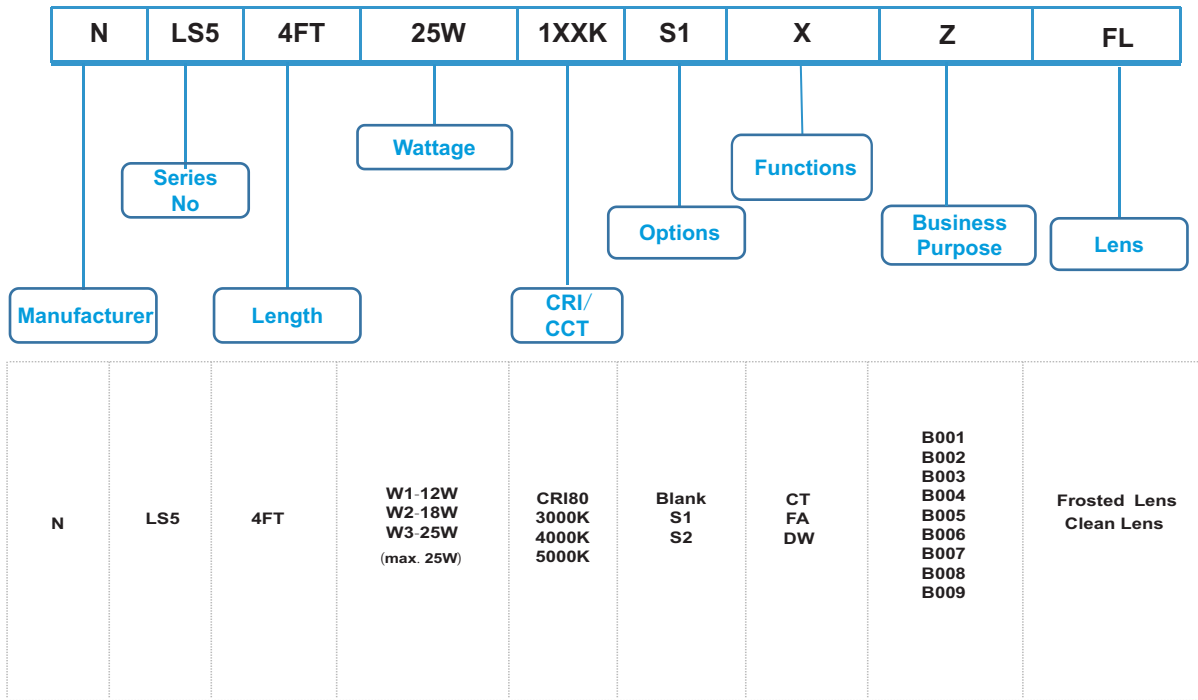
## MOUNTING

Surface Mounted, Suspended Mounted

## DIMENSION




**PRODUCT CODE BUILDER**



Remark: please refer to product builder page for more details.

**SPECIFICATION**

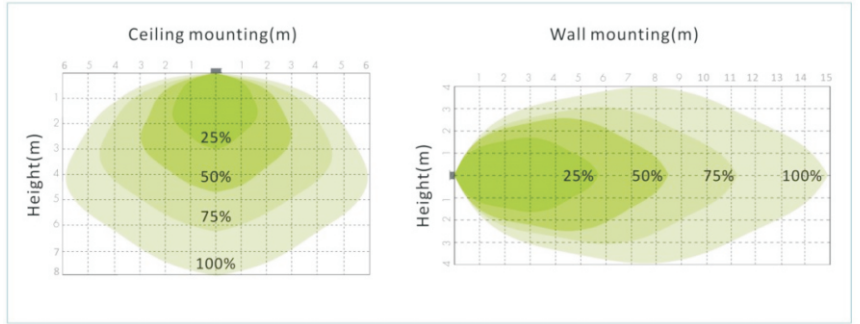
Model No.	ETL	Input Voltage	Default / Max Wattage	Lens	Color	Rated Lumen	Rated Efficacy	Viewing Angle	Rated Lifetime	Replacing
<b>Power Adjustable, Color Tuning, 4FT Linear STRIP Fixture</b>										
①. Wattages can be preset to any wattages lower than its max power. 4 wattages are available. Adjustable on fields. ②. Color tuning is an optional function. 3 CCTs are available. Tunable on fields.										
  										
N-LS5-4F-25W-1XXK [Blank,SN]-[CT,FA,DW] -Z(Frosted lens)	YES	100-277VAC 240-347VAC	25W / Max. 25W	Frosted lens	3000K	3225LM	129LM/W	117°	L90-> 36000hrs	2 x T8 4FT 32W 1 x T5HO 4FT 54W
	YES				4000K	3300LM	132LM/W			
	YES				5000K	3250LM	130LM/W			
N-LS5-4F-25W-1XXK [Blank,SN]-[CT,FA,DW] -Z(Clean lens)	YES	100-277VAC 240-347VAC	25W / Max. 25W	Clean lens	3000K	3500LM	140LM/W	117°	L90-> 36000hrs	2 x T8 4FT 32W 1 x T5HO 4FT 54W
	YES				4000K	3727LM	149LM/W			
	YES				5000K	3550LM	142LM/W			
N-LS5-4F-18W-1XXK [Blank,SN]-[CT,FA,DW] -Z(Frosted lens)	YES	100-277VAC 240-347VAC	18W / Max. 25W	Frosted lens	3000K	2322LM	129LM/W	117°	L90-> 36000hrs	2 x T8 4FT 32W 1 x T5HO 4FT 54W
	YES				4000K	2376LM	132LM/W			
	YES				5000K	2340LM	130LM/W			
N-LS5-4F-18W-1XXK [Blank,SN]-[CT,FA,DW] -Z(Clean lens)	YES	100-277VAC 240-347VAC	18W / Max. 25W	Clean lens	3000K	2520LM	140LM/W	117°	L90-> 36000hrs	2 x T8 4FT 32W 1 x T5HO 4FT 54W
	YES				4000K	2682LM	149LM/W			
	YES				5000K	2556LM	142LM/W			
N-LS5-4F-12W-1XXK [Blank,SN]-[CT,FA,DW] -Z(Frosted lens)	YES	100-277VAC 240-347VAC	12W / Max. 25W	Frosted lens	3000K	1548LM	129LM/W	117°	L90-> 36000hrs	2 x T8 4FT 32W 1 x T5HO 4FT 54W
	YES				4000K	1584LM	132LM/W			
	YES				5000K	1560LM	130LM/W			
N-LS5-4F-12W-1XXK [Blank,SN]-[CT,FA,DW] -Z(Clean lens)	YES	100-277VAC 240-347VAC	12W / Max. 25W	Clean lens	3000K	1680LM	140LM/W	117°	L90-> 36000hrs	2 x T8 4FT 32W 1 x T5HO 4FT 54W
	YES				4000K	1788LM	149LM/W			
	YES				5000K	1704LM	142LM/W			

Remark: No Power Adjustable and Color Tunable version are also available, please contact us @sales@noonlighting.com for more details.

**Occupancy Sensor**



**Detection Pattern:**



- **Dual PD technology**, can identify daylight and artificial light, real Lux-off and daylight monitoring function.
- **Mounting height:** Max. 8m.
- **IR remote commissioning**, easy setting via remote control
- **Default setting :**  
Sensitivity: 100%  
Daylight sensor: 300lux  
Hold time: 5mins.  
Twilight time: +  
Twilight level: 30%

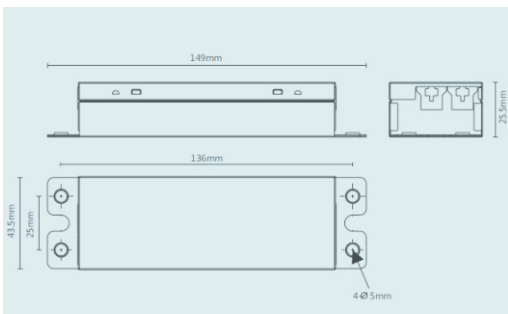
**Emergency Pack**



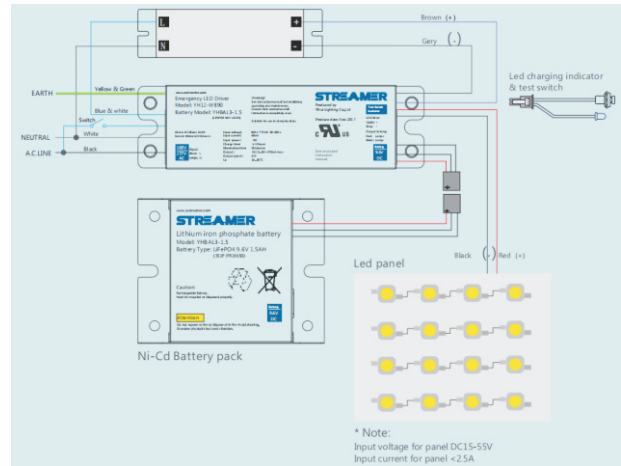
**Features:**

- Listed for field installation-UL924 and CSA C22.2 NO.141
- **Selectable emergency power:** 4W,8W
- Universal input 100-277VAC 50-60Hz
- Output: 15-55V,DC60V max
- **Illumination time:** 90mins
- **Battery Type:** LiFePo4
- **Battery recharge time:** 24hrs.
- **Protections:** Over voltage, low voltage, over temperature, short circuit.
- **Working Temperature:** 0°C to 50°C (32 °F to 122°F)

**Dimension:**



**Wiring Diagram:**



**ENG+MOTION SENSOR LAYOUT**

